

# FINLAY

C-1540

C-1540RS

C-1550

# CONE CRUSHERS



**BELL**

## C-1540

The Finlay C-1540 tracked mobile cone crusher has a proven pedigree in aggregate and ore surface mining applications. This efficient and productive machine incorporates the proven 1000 cone crusher with direct variable hydrostatic drive, automatic tramp relief and hydraulic closed side setting (CSS) adjustment.

The Finlay C-1540 can be fitted with an optional patented pre-screen module which allows fines materials to bypass prior to being fed to the crushing chamber offering better wear rates in the crushing chamber. The large hopper/feeder has an automated metal detection and a purge system to protect the cone and reduce downtime by removing metal contaminants via the purge chute.

Additional benefits include, rapid set up time, ease of maintenance, high reduction ratio, high output capacity and advanced electronic control system.

## STANDARD FEATURES

### Engine:

Tier 3 / Stage 3A - CAT C9 Acert 261kW (350hp)

Tier 4i / Stage 3B - Scania DC9 70A 257kW (350hp)

### Hopper / Feeder:

Hopper capacity: 5m<sup>3</sup> (6.5yd<sup>3</sup>)

Belt width: 1050mm (42")

Metal detector

Metal contaminants purge system

Wear resistant liner plates

### Cone:

1000 Cone chamber, 1000mm (40") head diameter

Long throw eccentric, medium coarse concave (max feed size 160mm)

Hydrostatic cone drive

### Main Conveyor:

Belt width: 900mm (36")

High spec scraper at head drum

Wear resistant liners at crusher discharge point

Dust Covers

### General:

Galvanised catwalk c/w handrail, kick board and access ladders

Heavy duty track unit, sprocket centres 3.8m (12.8'), pad width 500mm (20")

Hand held track control set with connection lead

Single speed tracking

Safety guards in compliance to machinery directive

Two auxiliary drives

Emergency stops

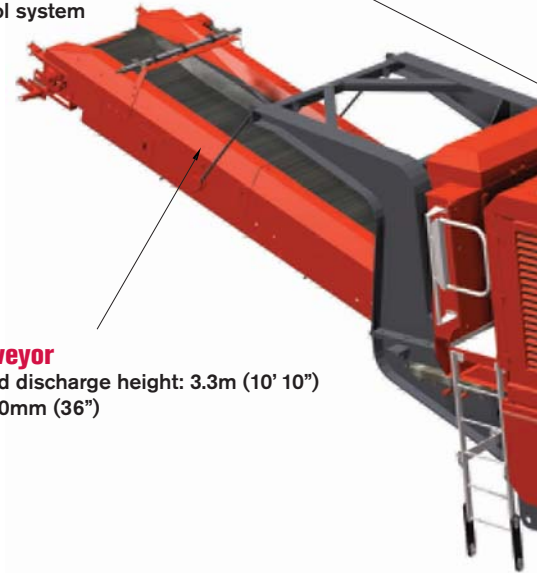
Piped for dust suppression c/w spraybars

### Powerunit

- ▶ Tier 3 / Stage 3A - CAT C9 Acert 261kW (350hp)
- ▶ Tier 4i: Scania DC9 70A 257kW (350hp)
- ▶ Hydrostatic transmission
- ▶ Electronic control system

### Main conveyor

- ▶ Standard discharge height: 3.3m (10' 10")
- ▶ Belt: 900mm (36")

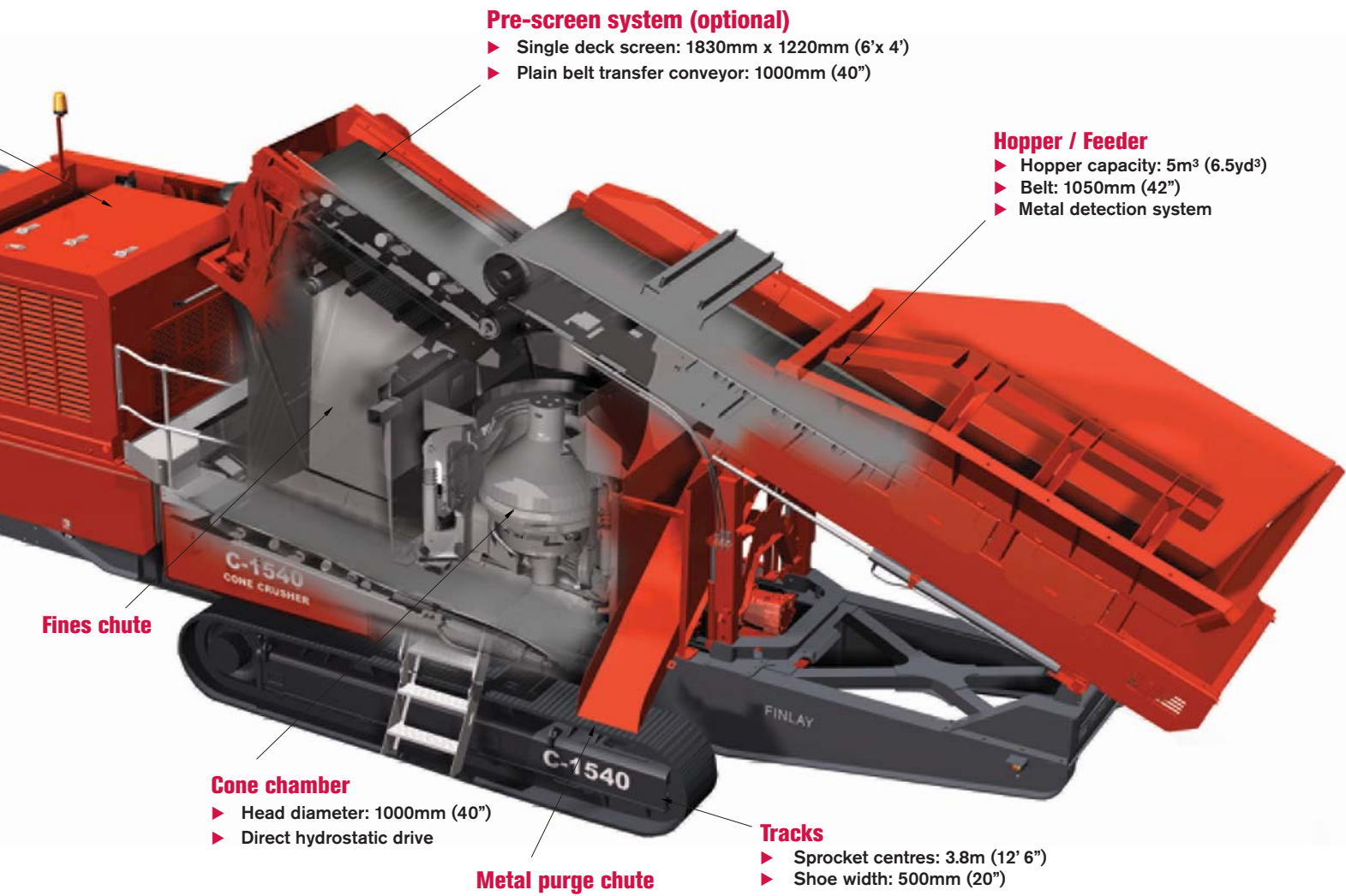


## Features:

- ▶ Direct hydrostatic cone drive with variable speed control gives efficient production and application versatility.
- ▶ Optional pre-screen module maximises production and reduces wear on the chamber by removing fine material before it enters the cone.
- ▶ Metal detection system on feed belt with 'auto-stop' protects the cone from tramp metal and the purge system removes contaminants from the machine.



# FINLAY



### Transport Dimensions



### Working Dimensions



**Machine Weight:**  
**36,500Kg (80,469lbs)** without options  
**38,300Kg (84,437lbs)** with optional pre-screen

**FINLAY**

# C-1540RS

The Finlay C-1540RS tracked mobile cone crusher provides the versatility of a crushing and screening plant on one machine in aggregate and ore surface mining applications. Based on the proven and tested Finlay C-1540 cone crusher, this machine variant features an innovative on-board recirculating system and detachable sizing screen. If recirculation and sizing of materials is not required the sizing screen can be quickly detached from the machine without the need for lifting equipment.

The Finlay C-1540RS can be fitted with an optional patented pre-screen module which allows fines materials to be removed prior to being fed to the crushing chamber offering higher production with lowest cost per ton wear and running costs. The large hopper/feeder has an automated metal detection and a purge system to protect the cone and reduce downtime by removing metal contaminants from the feed belt.

## STANDARD FEATURES

### Engine:

Tier 3 / Stage 3A: CAT C13 Acert 328kW (440hp)

Tier 4i / Stage 3B: Scania DC13 70A 331kW (450hp)

### Hopper / Feeder:

Hopper capacity: 5m<sup>3</sup> (6.5yd<sup>3</sup>)

Belt width: 1050mm (42")

Metal detector

Metal contaminants purge system

Wear resistant liner plates

### Cone:

1000 Cone chamber, Head diameter: 1000mm (40")

Long throw eccentric, medium coarse concave (max feed size 160mm (6"))

Hydrostatic cone drive

### Main Belt:

Belt width: 900mm (36")

High spec scraper at head drum

Wear resistant liners at crusher discharge point

Dust Covers

### Re-Circulating System:

Two deck screen: 3.66m x 1.52m (12' x 5')

Top deck mesh fitted to screen - 40mm aperture fitted unless specified otherwise

Oversize transfer conveyor, re-circulating conveyor and fines conveyor fitted as standard

Quick detach screen and fines conveyor

Note:- Middle grade transfer conveyor is not fitted, this is only an option

### General:

Galvanised catwalk c/w handrail, kick board and access ladders

Heavy duty track unit, sprocket centres 3.8m (12.8'), pad width 500mm (20")

Hand held track control set with connection lead

Single speed tracking

Safety guards in compliance to machinery directive

One auxiliary drive

Emergency stops

Piped for dust suppression c/w spraybars

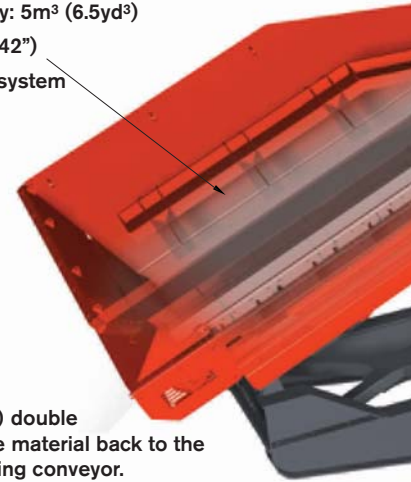
High specification oil cooler

Piped for dust suppression c/w spraybars

High specification oil cooler

### Hopper / Feeder

- ▶ Hopper capacity: 5m<sup>3</sup> (6.5yd<sup>3</sup>)
- ▶ Belt: 1050mm (42")
- ▶ Metal detector system

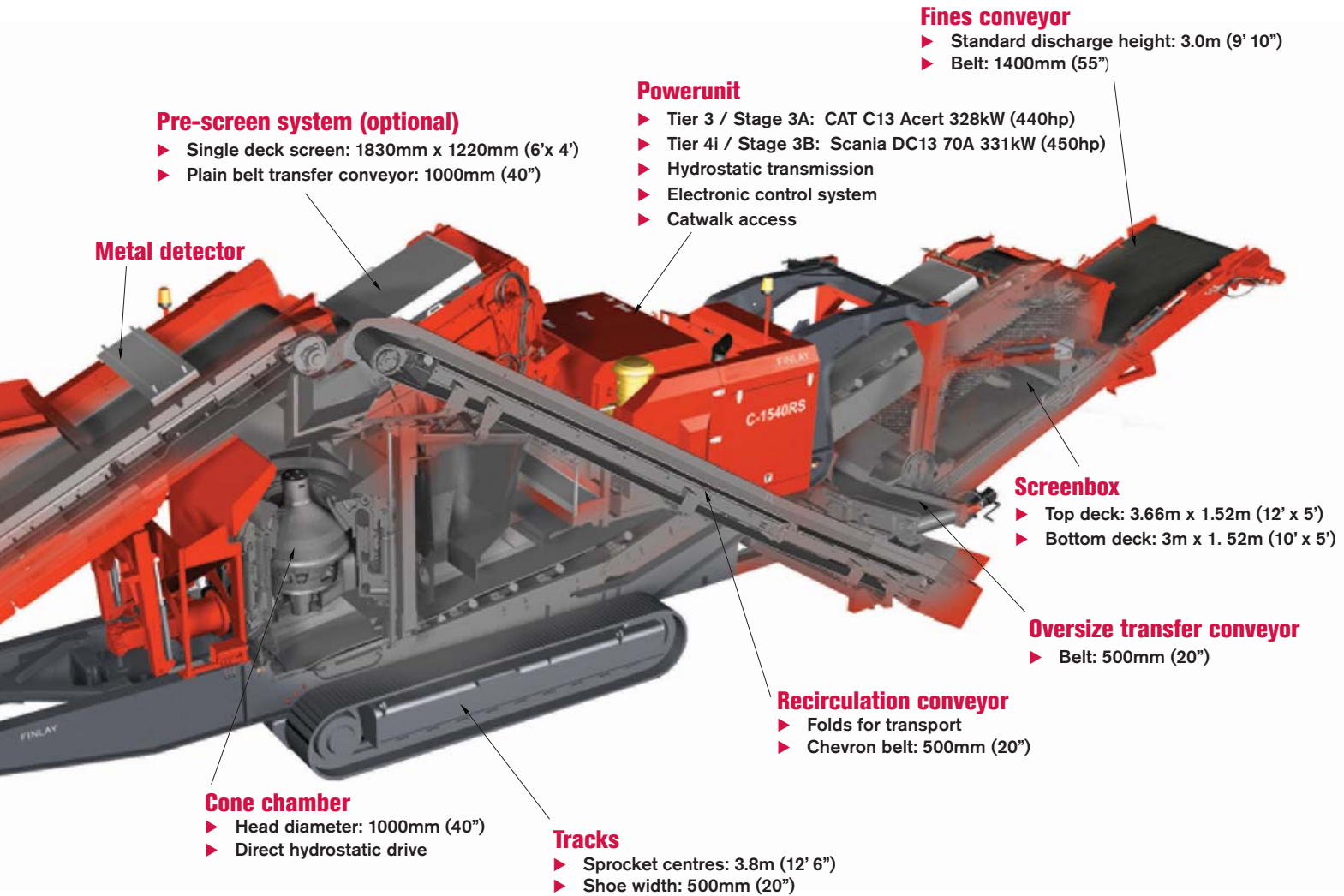


## Features:

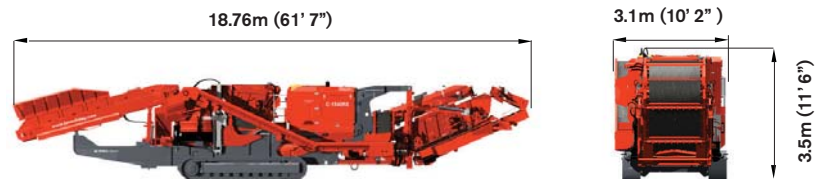
- ▶ Detachable 3.66m x 1.52m (12' x 5') double deck sizing screen passes oversize material back to the crusher via the on-board recirculating conveyor.
- ▶ Quick and easy detachable screen and fines conveyor for open circuit crushing.
- ▶ The optional stacking conveyor in conjunction with the optional lower deck screen, produces a 2nd spec'd product.



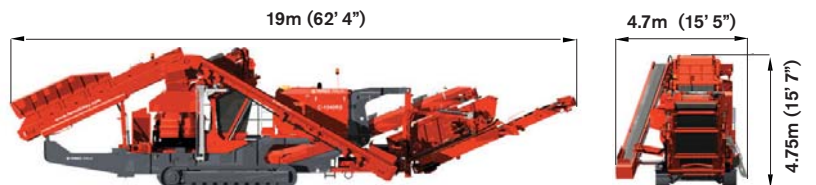
# FINLAY



### Transport Dimensions



### Working Dimensions



### Machine Weight:

**43,800kg (96,563lbs)** Without options

**45,600kg (100,531lbs)** With optional pre-screen

**49,000kg (108,027lbs)** With optional pre-screen, mid-grade transfer & mid-grade stockpiling conveyor

# FINLAY

# C-1550

The Finlay C-1550 incorporates the proven 1300 cone crusher driven through by direct drive. The machine features an patent pending optional pre-screen module with a single deck 2.45m x 1.52m (8' x 5') screen for removal or bypass of fines from the feed material. The integrated chute system, below the pre-screen, allows the fines material to be discharged from the machine using the optional by-pass conveyor or reintroduced onto the main product conveyor. Both methods improve the overall plant throughput capacity, product flexibility and liner wear reduction. The cone features variable speed drive, hydraulic tramp relief system and ability to change closed side setting while crushing. The large hopper/feeder has an automated metal detection and a purge system to protect the cone and reduce downtime by removing metal contaminants via the purge chute.

The hydraulically adjustable feed conveyor allows the machine to be operated using either the innovative pre-screen system or if required by feeding directly into the cone.

## Main conveyor

- ▶ Standard discharge height: 3.8m (12'6")
- ▶ Plain belt: 1200mm (47")
- ▶ Hydraulically folding for transport
- ▶ Stockpile sensor



## STANDARD FEATURES

### Engine:

Caterpillar C15 390kW (522hp) (Engines are available to meet both US EPA emission standards, under CFR 1039.625 and EU flexibility provisions of Directive 97/68/EC)

### Hopper / Feeder:

Hopper Capacity: 8m<sup>3</sup> (10.4yd<sup>3</sup>)

1200mm (47") wide belt

Metal detector

Metal contaminants purge system

Wear resistant liner plates

### Cone:

1300 Cone chamber, 1300mm (51") head diameter

Standard liner configuration (max feed size 220mm)

Direct cone drive via wet clutch.

### Main Conveyor:

1200mm (47") wide belt

High spec scraper at head drum

Wear resistant liners at crusher discharge point

Dust Covers

Stockpile sensor

### General:

Galvanised catwalk c/w handrail, kick board and access ladders

Heavy duty track unit, sprocket centres 3.8m (12.8'), pad width 500mm (20")

Hand held tracking control with connection lead

Two speed tracking

Safety guards in compliance to machinery directive

Two auxiliary drives

Emergency stops

Piped for dust suppression c/w spraybars

Electric pump refuelling kit

## Features:

- ▶ Fully Hydraulic CSS Adjustment with electronic monitoring system ensures ease of operation.
- ▶ Fuel efficient direct drive transmission through wet clutch.
- ▶ Hydraulic Tramp Relief System with automatic reset protects the chamber and minimises downtime.
- ▶ Metal detection system on feed belt with 'auto-stop' protects the cone from tramp metal and the controllable purge system removes metal contaminants via the purge chute.



# FINLAY

### By-pass conveyor (optional)

- ▶ Standard discharge height: 2.8m (9')
- ▶ Plain belt: 650mm (25.6")
- ▶ Hydraulically folding

### Powerunit

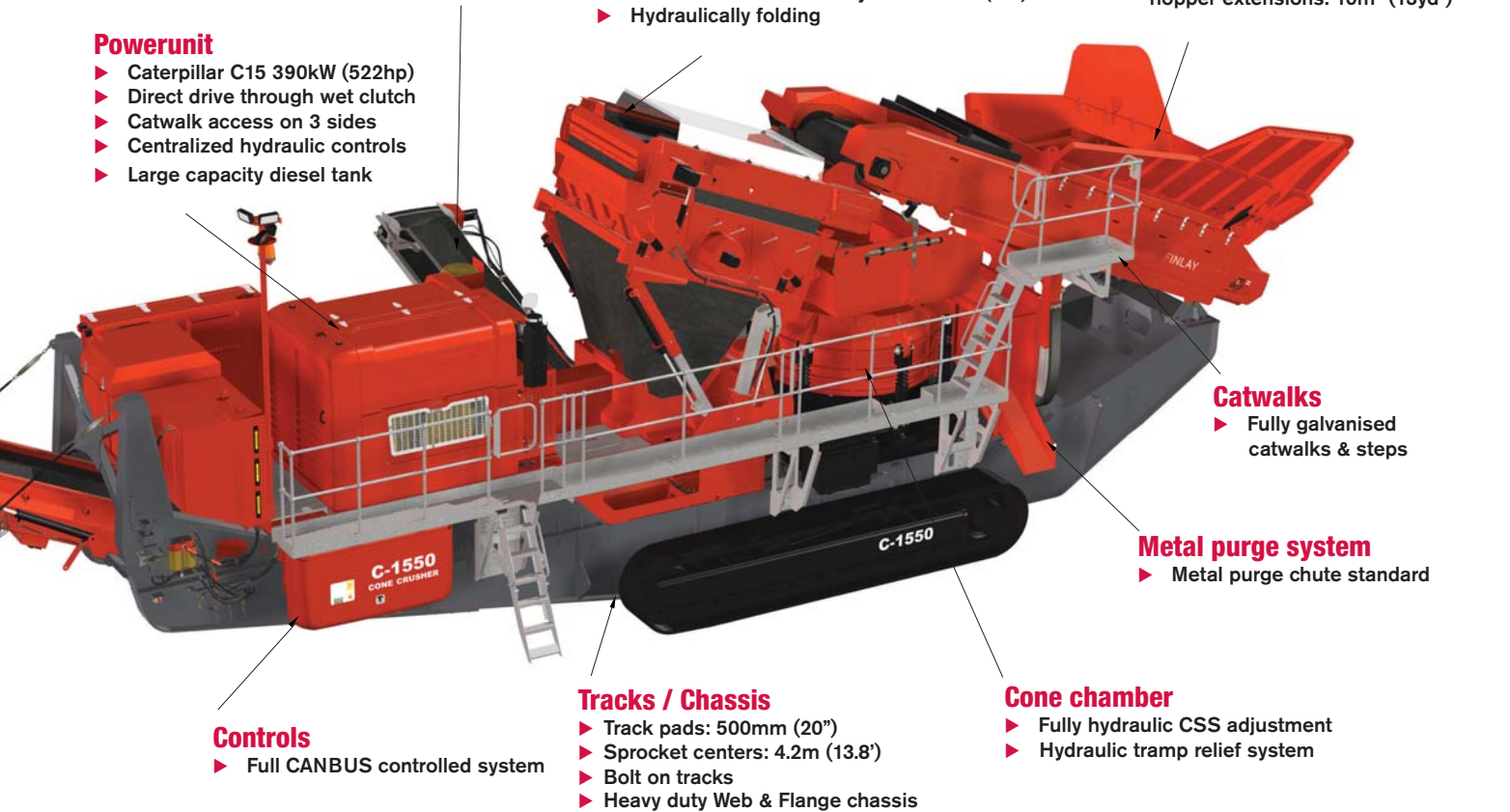
- ▶ Caterpillar C15 390kW (522hp)
- ▶ Direct drive through wet clutch
- ▶ Catwalk access on 3 sides
- ▶ Centralized hydraulic controls
- ▶ Large capacity diesel tank

### Pre-screen system (optional)

- ▶ Single deck screen: 2.45m x 1.52m (8' x 5')
- ▶ Plain belt transfer conveyor: 1200mm (47")
- ▶ Hydraulically folding

### Hopper / Feeder

- ▶ Hopper capacity: 8m<sup>3</sup> (10.4yd<sup>3</sup>)
- ▶ Belt: 1200mm
- ▶ Lined hopper walls
- ▶ High Spec Metal Detector - Standard
- ▶ Optional hydraulically folding hopper extensions: 10m<sup>3</sup> (13yd<sup>3</sup>)



### Controls

- ▶ Full CANBUS controlled system

### Tracks / Chassis

- ▶ Track pads: 500mm (20")
- ▶ Sprocket centers: 4.2m (13.8")
- ▶ Bolt on tracks
- ▶ Heavy duty Web & Flange chassis

### Cone chamber

- ▶ Fully hydraulic CSS adjustment
- ▶ Hydraulic tramp relief system

### Catwalks

- ▶ Fully galvanised catwalks & steps

### Metal purge system

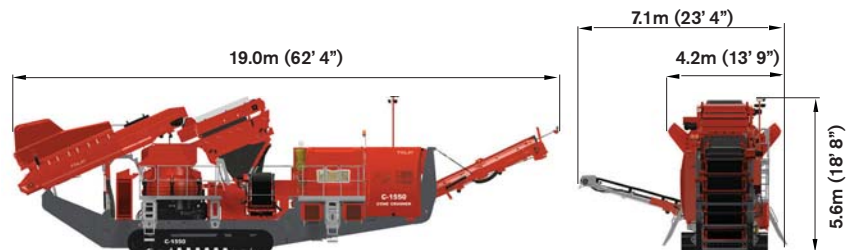
- ▶ Metal purge chute standard



### Transport Dimensions



### Working Dimensions



### Machine Weight:

64,500kg (142,198lbs) with optional pre-screen

66,000kg (145,505lbs) with optional pre-screen & side conveyor

# FINLAY

# GENUINE FINLAY Spare Parts...



**Bell Equipment aims to keep you moving 24 hours a day, 7 days a week, 365 days a year.**

Whether you need jaw liners, meshes or replacement components, only genuine Finlay parts guarantee the safety, proper functioning and reliability of your equipment. Finlay supplies quality original parts to protect your investment and our knowledgeable product specialists help ensure you receive exactly what you need to get your equipment back on the job quickly & cost effectively.



# FINLAY

# FINLAY

Follow us on:

